

AIRBELT K2 SCHEMATIC AND PARTS LIST

9679AM K2 - Midnight Blue
 # 9696AM K2 - Hunter Green

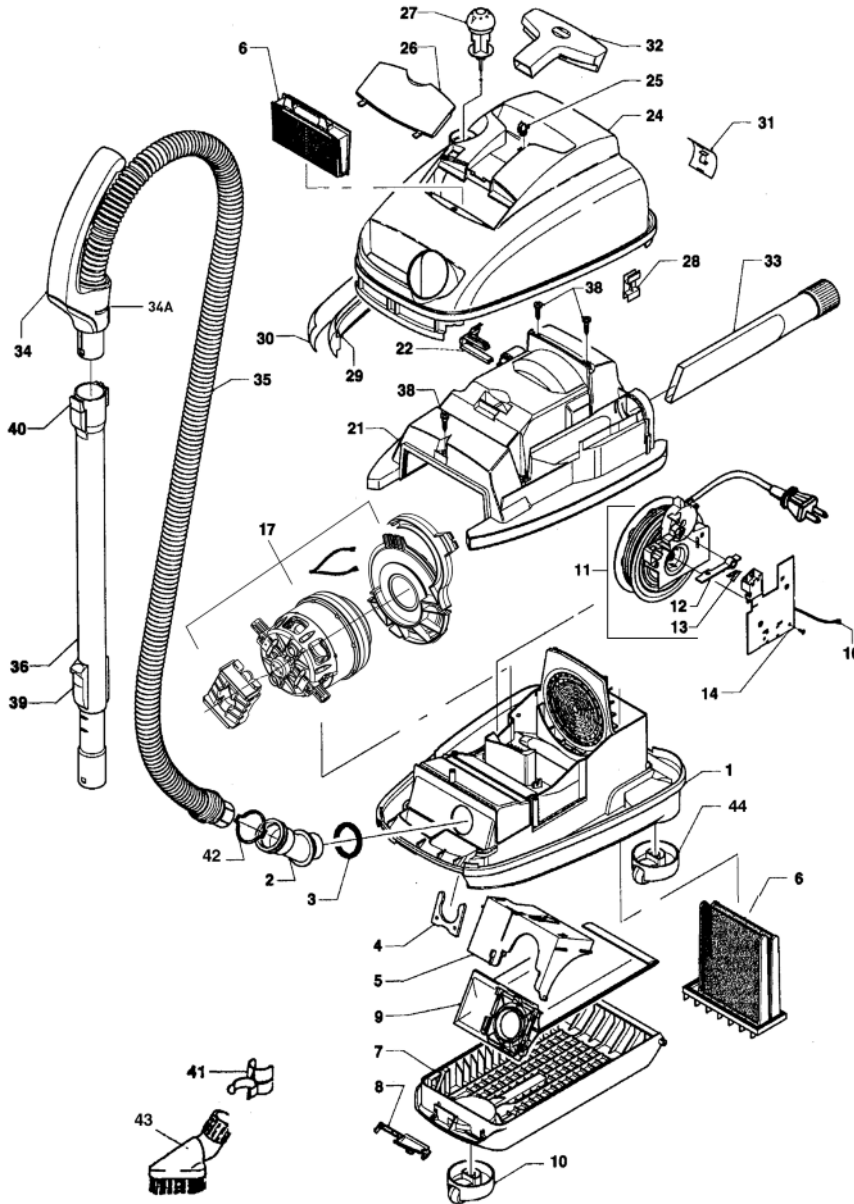
Canister with Handle/Hose

#9696AM K2 Hunter Green Machine

| Pos. | Part # | Description |
|------|-----------|---|
| 1 | 6754GS | Bottom casing w/castors (44) |
| 2 | 6675GS | Suction neck - K2 |
| 3 | 6014 | Seal |
| 4 | 6042WS | Spring lock |
| 5 | 6681HG | Bag holder, complete |
| 6 | 6696AM | K Microfilter & Exhaust set |
| 7 | 6756GS | Bag cover w/castor (10) |
| 8 | 6607GS | Cover release |
| 9 | 6629AM | Filter bag SEBO K |
| 10 | 6752GS | Castor for bag cover |
| 11 | 665603E | Cord reel w/lever & leaf spring (12&13) |
| 12 | 6621 | Switch lever w/leaf spring (13) |
| 13 | 1739 | Leaf spring |
| 14 | 6641ER | Electronic controller K2 w/switch |
| 16 | 6638 | Internal cable - white |
| 17 | 6631ER | Vac motor 1250W includes motor mount, adaptor, internal cable w/thermal cut-off |
| 21 | 6679GS | Motor cover |
| 22 | 6622GS | Plug surround |
| 24 | 6680G2 | Top casing - hunter green (25) |
| 25 | 6625ER | Release button w/screw |
| 26 | 6427K2 | Exhaust filter cover - hunter green |
| 27 | 60613LG | On/Off knob for K2 hunter green |
| 28 | 6086HG | Casing clip |
| 29 | 6623UL | Foam bumper - K |
| 30 | 6047AM/08 | AIRBELT textile-citrus (incl. pos. 31) |
| 31 | 6048GS | AIRBELT clip |
| 32 | 6627GS | Upholstery nozzle - K series |
| 33 | 1092GS | Crevice nozzle |
| 34 | 6300GS | Handle grip K2, cpl. (incl. pos. 34A) |
| 34A | 6303GS | Retaining ring |
| 35 | 6447GS | 7' hose w/couplings & handle K2 (34&34a) |
| 36 | 6271GS | Telescoping Tube (39&40) |
| 38 | 0105 | Screw 3.9 x 19 |
| 39 | 6421GS | Slider button w/hardware |
| 40 | 6420GS | Release button w/leaf spring & cap |
| 41 | 6694GS | Clip for attachments |
| 42 | 6612GS | Retaining ring |
| 43 | 1387GS | Dusting brush |
| 44 | 6751GS | Castor for bottom casing |
| 45 | 6780ER | Turbo nozzle |
| 46 | 6391DA | Parquet nozzle |

#9679AM K2 Midnight Blue Machine Exceptions

| | | |
|----|-----------|---|
| 24 | 6680DB1 | Top Casing, K2 midnight blue (25) |
| 26 | 6424AM | Exhaust filter cover - midnight blue |
| 27 | 60613GW | On/Off knob - K2 midnight blue |
| 30 | 6047AM/01 | AIRBELT textile - dark gray (incl. pos. 31) |
| 37 | 7260GS | Kombi nozzle |



Turbo Nozzle
standard with
K2 Hunter Green



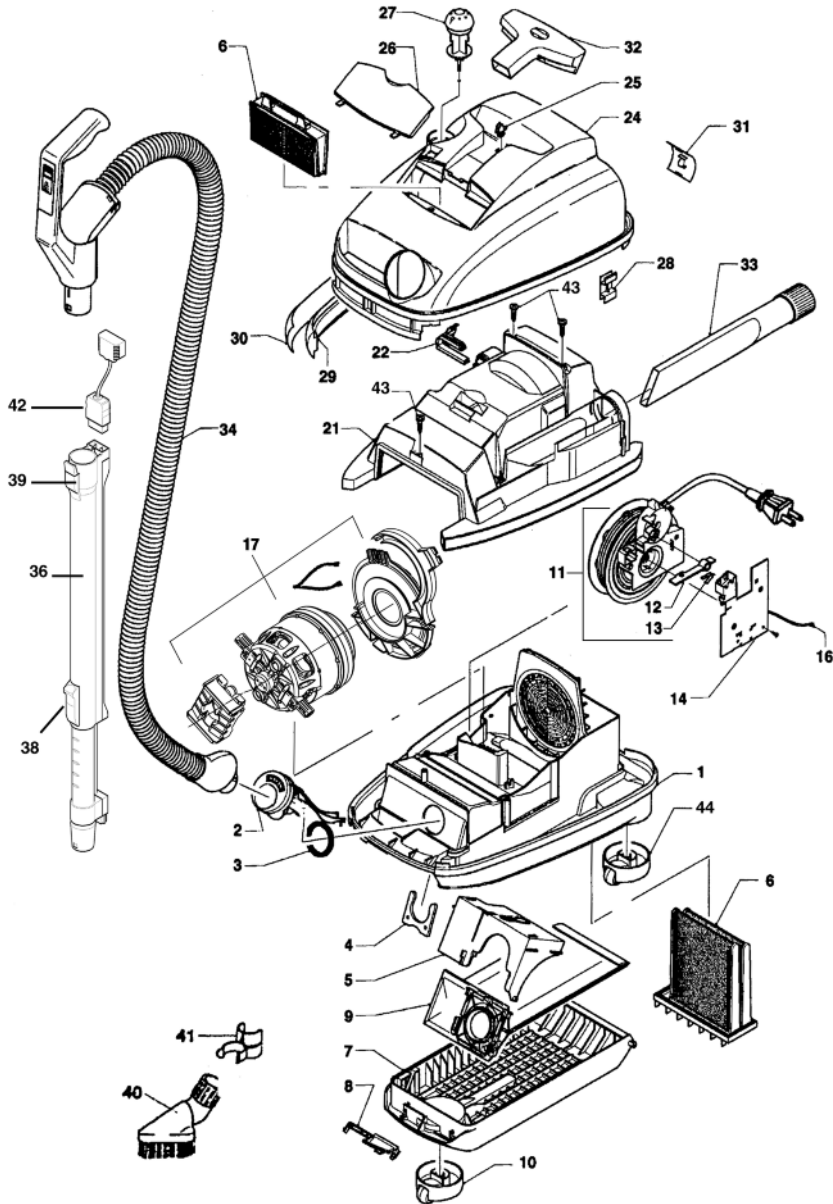
Parquet Brush
standard with
K2 Hunter Green



Kombi Nozzle
standard with
K2 Midnight Blue

AIRBELT K3 SCHEMATIC AND PARTS LIST

#9687AM K3 - Red
 #9689AM K3 - Volcano
 #9688AM K3 - Onyx



Parquet Brush standard with K3 Red, Volcano and Onyx

Canister with Handle/Hose

#9687AM K3 Red Machine

| Pos. | Part # | Description |
|------|-----------|---|
| 1 | 6754GS | Bottom casing w/castors (44) |
| 2 | 6677GS | Suction neck - K3 |
| 3 | 6014 | Seal |
| 4 | 6042WS | Spring lock |
| 5 | 6681HG | Leaf holder, cpl. |
| 6 | 6696AM | K Microfilter & Exhaust set |
| 7 | 6756GS | Bag cover w/castor (10) |
| 8 | 6607GS | Cover release |
| 9 | 6629AM | Filter bag SEBO K |
| 10 | 6752GS | Castor for bag cover |
| 11 | 665603E | Cord reel w/lever & leaf spring (12&13) |
| 12 | 6621 | Switch lever w/leaf spring (13) |
| 13 | 1739 | Leaf spring |
| 14 | 6645ER | Electronic controller K3 w/switch |
| 16 | 6638 | Internal cable - white |
| 17 | 6631ER | Vac motor 1250W includes motor mount, adaptor, internal cable w/thermal cut-off |
| 21 | 6679GS | Motor cover |
| 22 | 6622GS | Plug surround |
| 24 | 6680DR1 | Top casing K - red (25) |
| 25 | 6625ER | Release button w/screw |
| 26 | 6404K3 | Exhaust filter cover - red |
| 27 | 60666GW | On/Off knob for K3 red and black |
| 28 | 6086HG | Casing clip |
| 29 | 6623UL | Foam bumper - K |
| 30 | 6047AM/01 | AIRBELT textile - dark gray (incl. pos. 31) |
| 31 | 6048GS | AIRBELT clip |
| 32 | 6627GS | Upholstery nozzle - K Series |
| 33 | 1092GS | Crevice nozzle |
| 34 | 6349AM | 7' hose w/couplings & handle K3 |
| 36 | 6270GS | Telescoping tube (38&39) |
| 37 | 6391DA | Parquet brush |
| 38 | 6421GS | Slider button w/hardware |
| 39 | 6420GS | Release button w/leaf spring & cap |
| 40 | 1387GS | Dusting Brush |
| 41 | 6694GS | Clip for attachments |
| 42 | 6369GS | Mains cable |
| 43 | 0105 | Screw 3.9 x 19 |
| 44 | 6751GS | Castor for bottom casing |

#9689AM K3 Volcano Machine Exceptions

| | | |
|----|-----------|--------------------------------|
| 24 | 6680SR1 | Top Casing, K - volcano (25) |
| 26 | 6439AM | Exhaust filter cover - volcano |
| 27 | 60666VO | On/Off knob for K3 volcano |
| 30 | 6047AM/03 | AIRBELT textile - volcano |

#9688AM K3 Onyx Machine Exceptions

| | | |
|----|-----------|--|
| 24 | 6680SW1 | Top Casing, K - black (25) |
| 26 | 6622AM | Exhaust filter cover - black |
| 30 | 6047AM/07 | AIRBELT textile - silver/black (incl. pos. 31) |