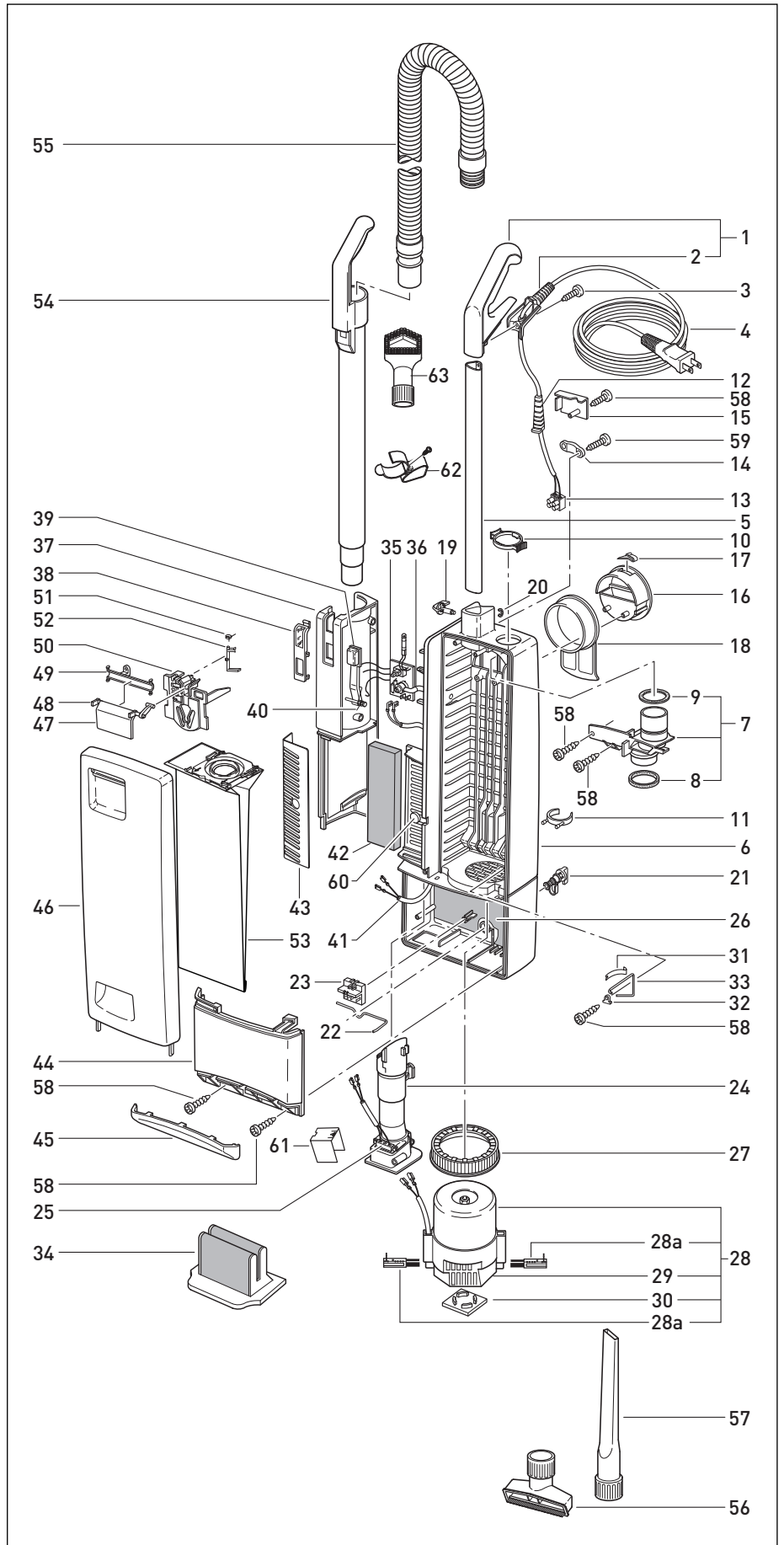


370 COMFORT SCHEMATIC AND PARTS LIST

Filter Bag Housing and Handle

#90703AM Gray Machine

Pos.	Part #	Description
1	1037EH	Handle grip (2)
2	1596HG	Handle cover (3 & 12)
3	0127	Screw 4 x 10
4	1954DG	Power supply cord
5	1848	Handle tube
6	1831HG	Dust bag housing (11, 19 & 41)
7	1835DG	Internal cover (8 & 9)
8	5289	Seal
9	5043	Seal
10	5424DG	Retaining ring
11	1823HG	Attachment clip
12	5359HG	Grommet (light gray)
13	0502	Terminal block for cord
14	1030UL	Cable Clamp
15	1812HG	Terminal block cover
16	1814HG	Carrying handle
17	5146	Stop spring
18	1813HG	Cable hook
19	1859DG	Handle catch
20	0161	Clip 4
21	0850DG	Dust bag housing locking catch w/hardware
22	1811	Locking rod
23	1265UL	Terminal block for motor
24	1807HG	Extension tube connector
25	1836UL	Female contact holder
26	1851	Sound insulation
27	1047	Vac motor seal
28	1843/2	1000W vac motor (28a, 29 & 30)
28a	05117S	Carbon brush set
29	1821UL	Motor cover
30	1822	Motor support
31	1027	Leaf spring
32	1073	Clamp
33	1824	Connecting rod
34	1875	Microfilter
35	1935ER	Printed circuit board w/switch
36	1860	Fitting
37	1852HG	Extension tube cover (38, 39 & 40)
38	1869HG	Lens, bag light indicator
39	1830DG	Switch button
40	1862	Spring for switch button
41	1833UL	Internal cable
42	1878	Exhaust filter
43	1802HG	Exhaust filter cover
44	1853SE	Motor cover
45	1804HG	Dust bag housing bumper
46	1846HG	Front cover cpl. (47-52)
47	1818DG	Cover release
48	6040	Seal, cover release
49	1819	Cover release cover
50	1847	Bag holder (51 & 52)
51	5091	Safety catch spring
52	1817	Safety catch
53	5093AM	Filter bag
54	5045DG	Extension tube
55	5040SB	Hose cpl.
56	1491DG	Upholstery nozzle
57	1092DG	Crevice nozzle
58	0102	Screw 9 x 13
59	0103	Screw 9 x 16
60	1884HG	Exhaust filter cover release button
61	1524	Cover for terminal block for motor
62	1081DG	Mounting clip w/screw
63	1387DG	Dusting brush, horsehair



370 COMFORT SCHEMATIC AND PARTS LIST

Power Head

#90703AM Gray Machine

Pos.	Part #	Description
100	20200HG	Chassis
101	20204ER	Front bottom plate set
102	20109ER	Bumper
103	20115	Wire tie
104	20107ER	Rear bottom plate
105	20230ER	Foot pedal w/axle & spring
106	20136ER	Swivel neck bearing
107	2306HG	Rear wheel w/axle
108	2014	Pile adjustment axle clamp
109	20126ER	Pile adjustment axle
110	2608HG	Pile adjustment wheel
111	2833	Thrust member
112	20128ER	Pile adjustment knob
113	4019	Spring
114	2973ER	175W brush motor (114a & 115)
114a	05141S	Carbon brush set
115	2319	Motor pulley
116	2923	Belt
117	20232AM	Swivel neck assembly (118, 119 & 140)
118	0895AM	Swivel neck wiring
119	2602HG	Swivel neck cover
120	20217ER	Swivel neck support, r.h.
121	20218ER	Swivel neck support, l.h.
122	0897ER	Swivel neck switch w/wiring to PCB
124	1073	Clamp
125	2919ER	Brush pulley
126	20162ER	PCB 120V
127	4098ER	Brush roller (125 & 128)
128	2046	Brush strip
129	20123ER	Bearing block, l.h.
130	20117ER	Bearing block, r.h.
131	20120ER	Brush roller release
131a	20121ER	Spring
132	2653HG	Support lever (133)
133	2651	Support lever spring
134	20226DGSE	Power head cover
135	20118ER	Brush strip cover
136	01017	Screw 4 x 20 (T20)
137	0197	Screw 4 x 12
138	01036	Screw 4 x 14 (T20)
139	0176TL	Screw 4 x 30
140	0102	Screw 9 x 13
141	20124ER	Access door w/axle & spring
142	20127ER	Lever for pile adjustment axle
143	20129ER	Thrust member cap

